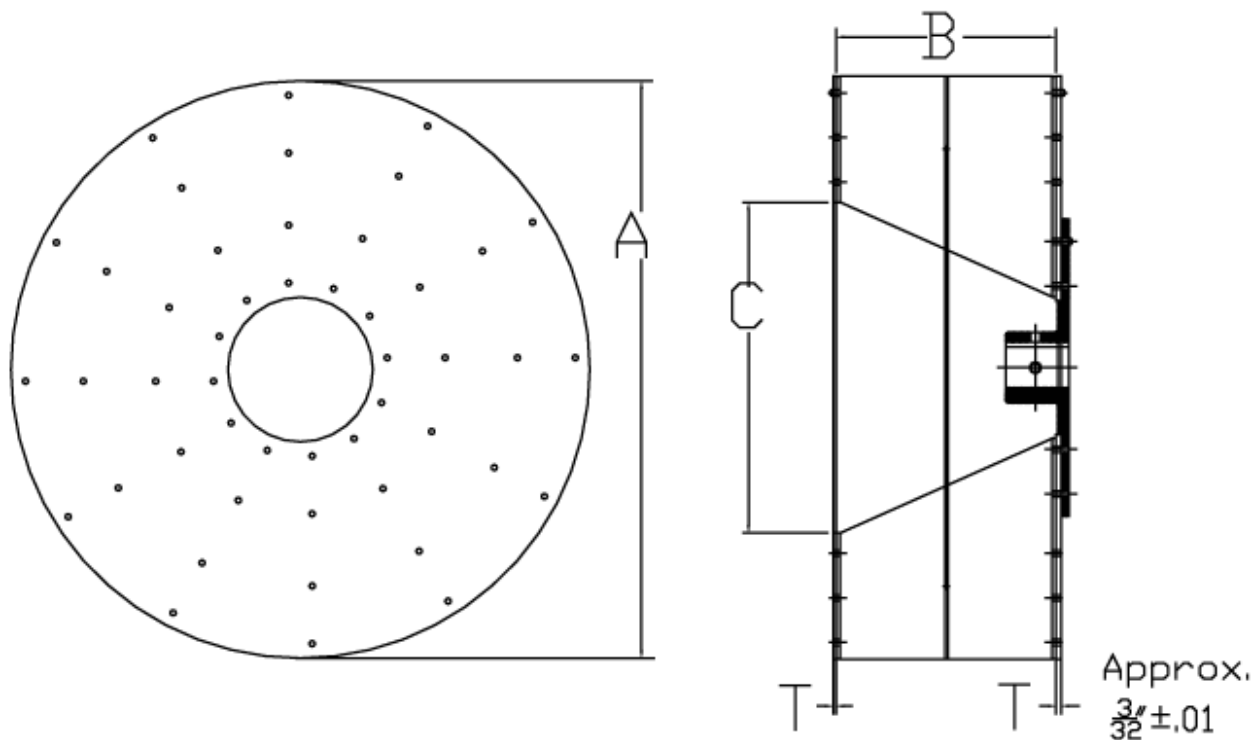


Jan-Air, Inc. Turbo Wheel Dimensions



Wheel Dimensions and Figures				Hub Dimensions
Max. Diameter (in.)	Width of Blades Inside Discs	Air Inlet Inside Diameter (in.)	Number of Blades	Hub Punch Style
A	B	C	N	H
10-5/8				
12-1/4				
14				
14-9/16				
15				
15-1/2				
15-3/4				
16-1/2				
16-5/8				
17				
17-1/2				
19				
19-1/4				
19-1/2				
19-5/8				
19-7/8				
21				
21-1/2				
22				
23				
23-1/2				

PLEASE CONTACT OUR FACTORY FOR DETAILS ON TURBO BLOWERS

Jan-Air, Inc.
 10815 Commercial Street
 Richmond, IL 60071 USA

(815)-678-4516
 info@jan-air.com